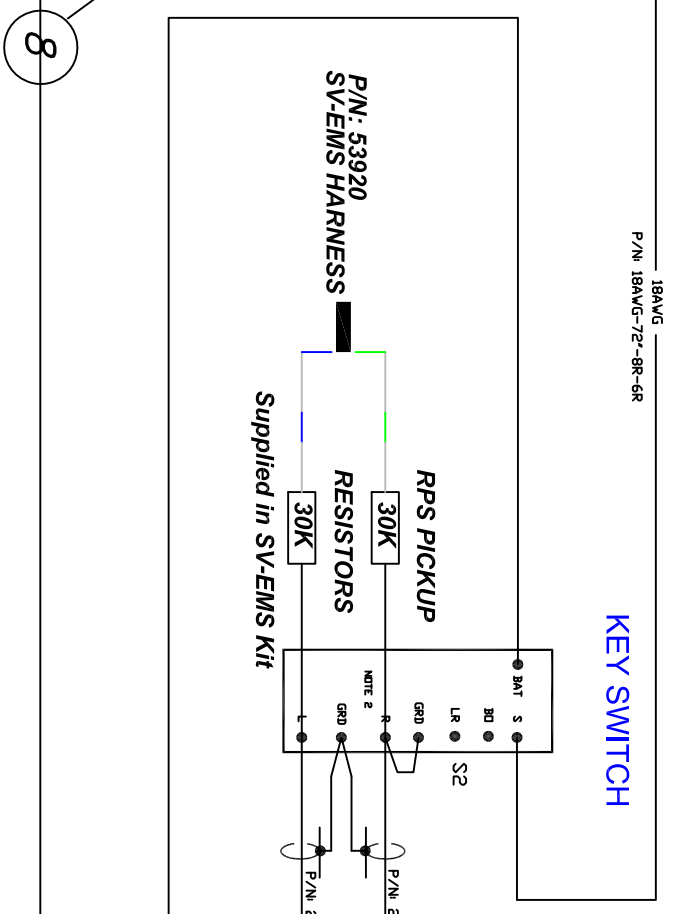
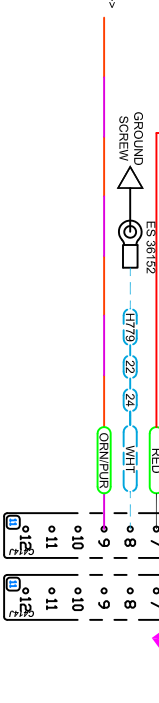
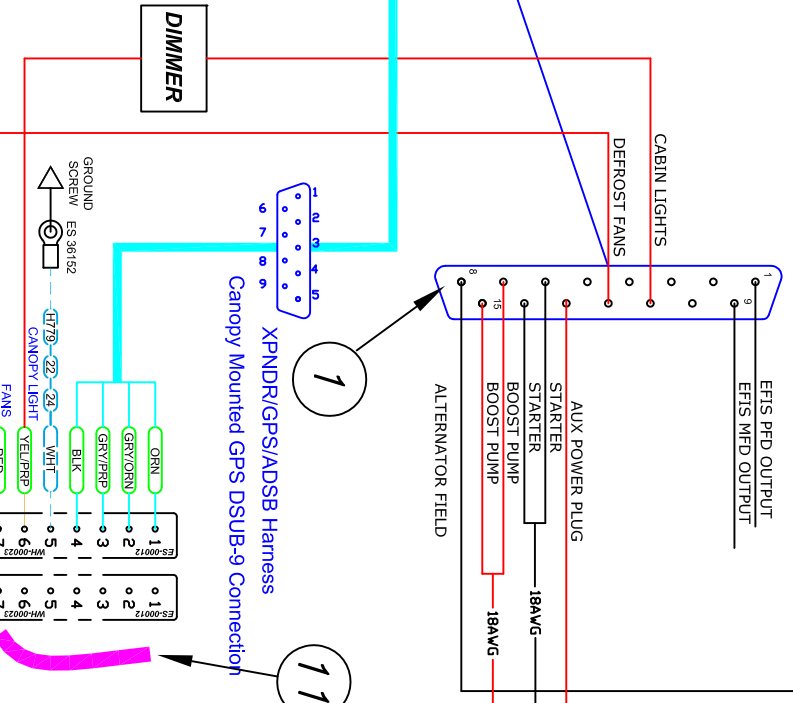


ACM Mounted on Sub Panel



AIRCRAFT FRONT CONNECTOR



ITEM	QTY	PART #	DESCRIPTION
11	1	57843	Canopy Harness
10	1	10AWG-8-10R-10R	Ground Harness
9	1	73137	Panel Power Jack
8	1	18AWG-48-10R-6R	Cable (Starter Relay to Key Switch)
7	1	18AWG-48-10R-6R	Cable (Master Relay to Master Switch)
6	2	18SAWG-72-6R-8R	Cable (Key Switch to Mag)
5	1	8AWG-6-10R-10R	Cable (8 to Shunt)
4	1	8AWG-48-10R-12R	Cable (Shunt to ACM Power Post)
3	1	73380	60 Amp Alternator Circuit Breaker
2	1	68101	Cover Plate (Shunt & Alt CB)
1	1	57841	Front Aircraft Harness

REV	DATE	DESCRIPTION	REV	DATE	DESCRIPTION
14	1/18	ADDED CANOPY WIRING DETAIL	REV		

DATE: 6/7/2018 SCALE: NONE  
 P/N: 57842

ADVANCED FLIGHT SYSTEMS INC.  
 PHONE: (503) 263-0037 FAX: (503) 263-1138  
 320 REDWOOD ST CANBY, OR 97013

AF-5000 FROM AIRCRAFT REAR HARNESS PIN 1 >>  
 SN VIEW FROM SV-EMS >>

