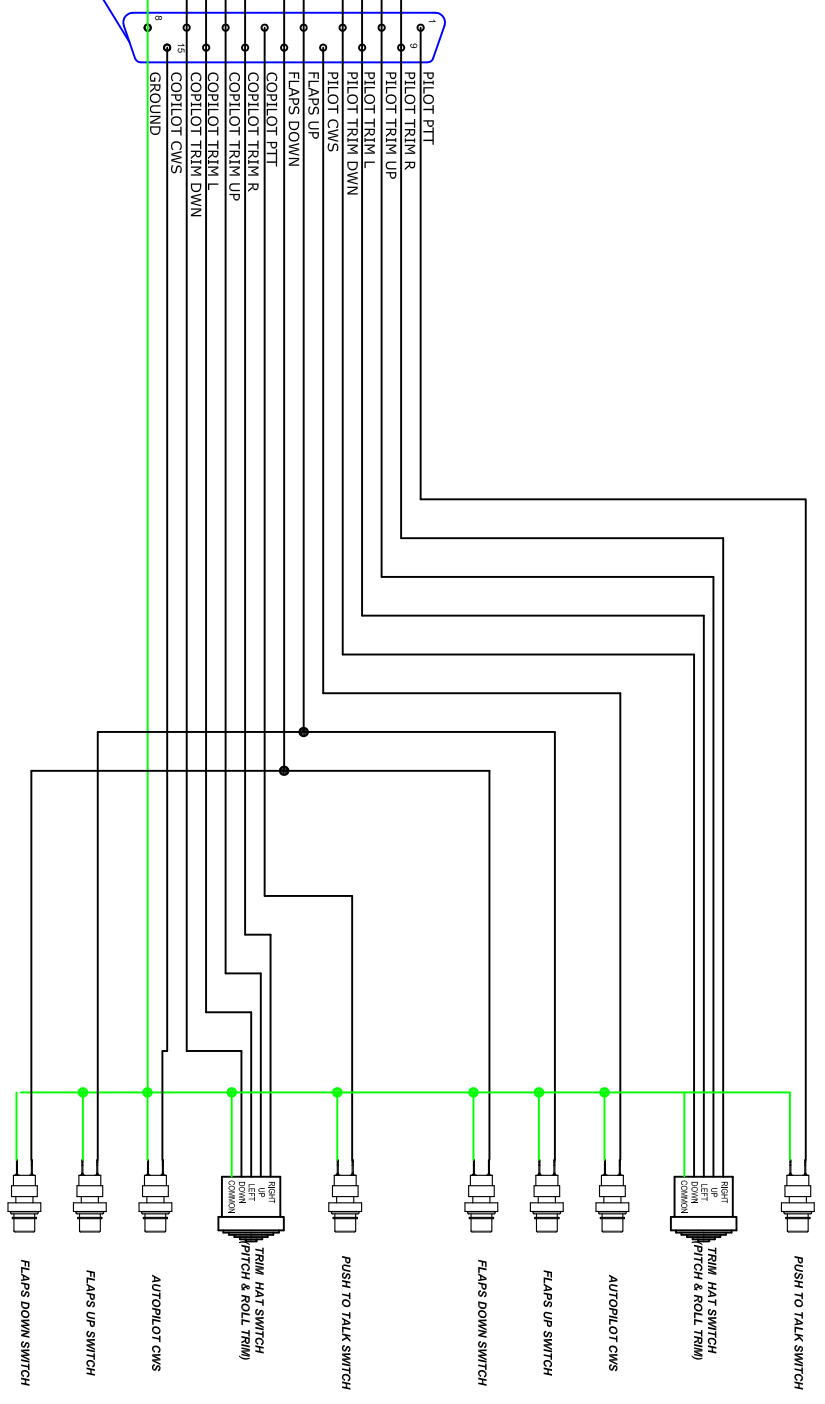
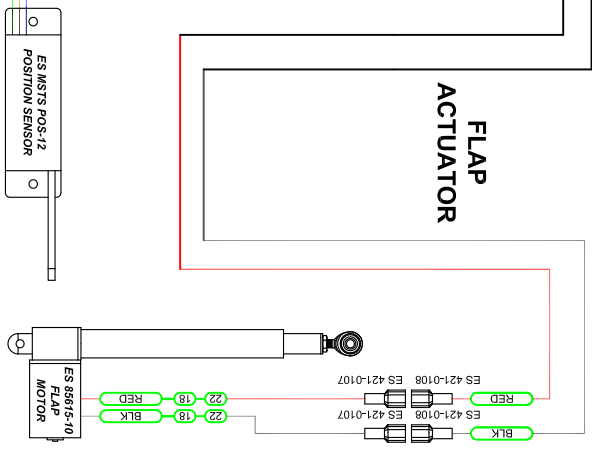
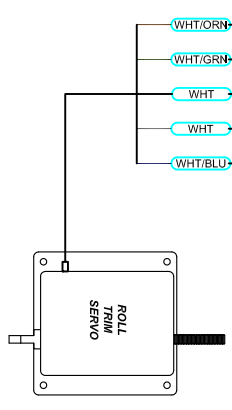
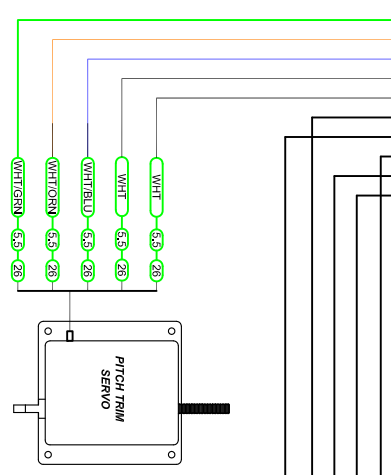
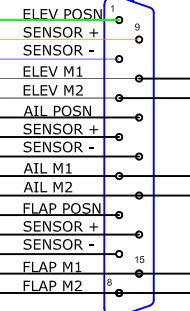
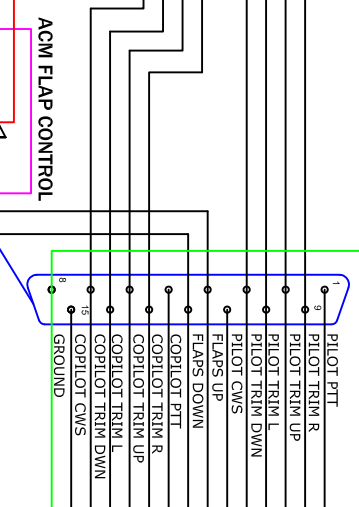
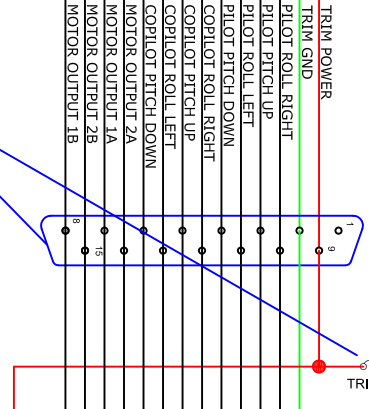


ACM Mounted on Sub Panel



REV	DATE	DESCRIPTION	BY	CHK	DATE	SCALE	NOTES
1	10/20/14	Initial Drawing					

ITEM	QTY	PART #	DESCRIPTION

DATE	2/28/17	SCALE	NONE
REV	1	DATE	10/20/14

PHONE:	(503) 263-0037
FAX:	(503) 263-1138
CANBY, OR	97205

DATE	2/28/17
REV	1

ADVANCED FLIGHT SYSTEMS INC.
 320 REDWOOD ST
 CANBY, OR 97205
 PHONE: (503) 263-0037
 FAX: (503) 263-1138

**TITLE WIRING DIAGRAM
 FLAP AND TRIM**

P/N 70050-TRIM
 REV 1

NOTES:
 THE DRAWING IS THE PROPERTY OF ADVANCED FLIGHT SYSTEMS INC. AND IS NOT TO BE COPIED, REPRODUCED OR USED WITHOUT WRITTEN APPROVAL.