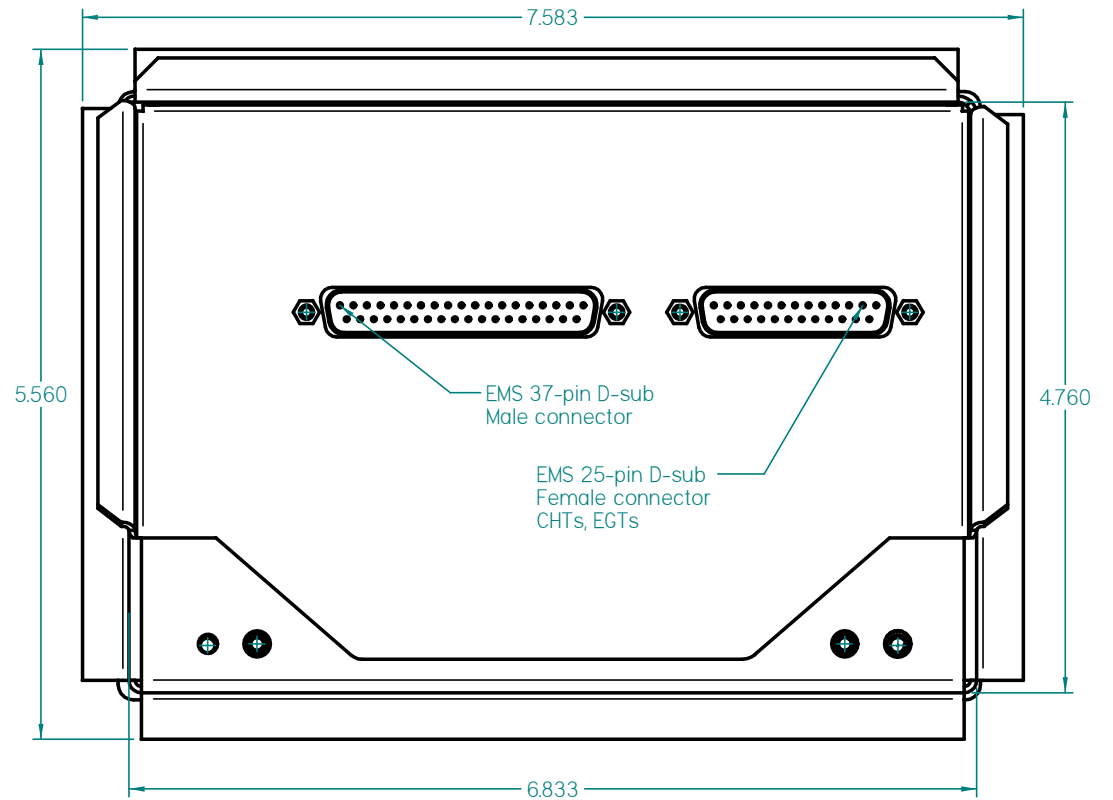
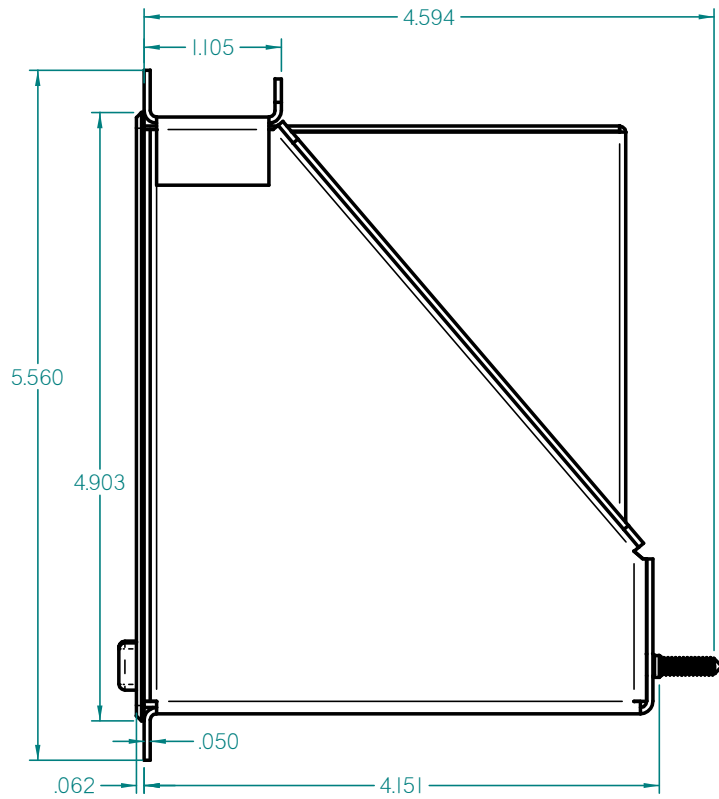

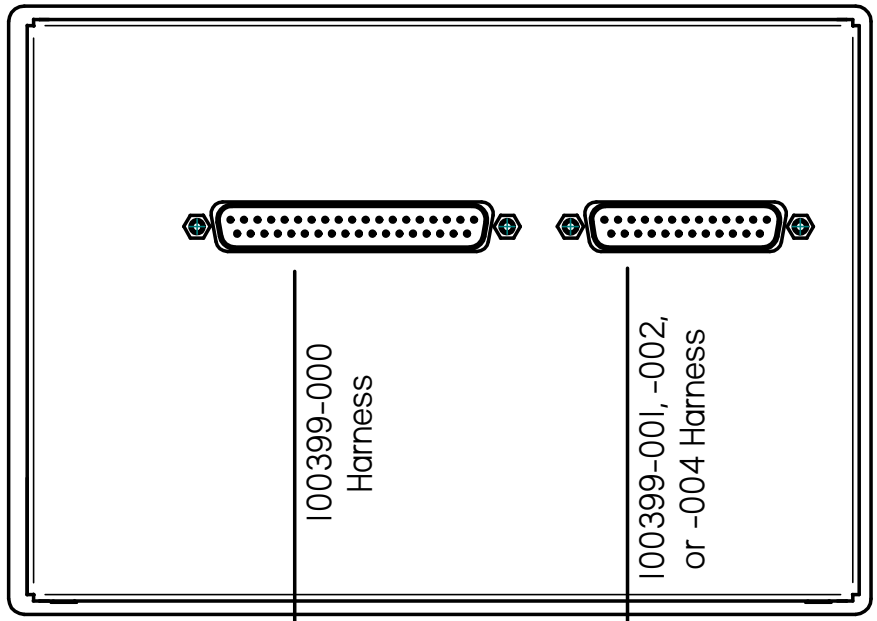
 DYNON AVIONICS	19825 141 st PL NE Woodinville WA 98072 (425)402-0834		
	<h2>EMS - DI20</h2>		
Color:	Date	material:	Rev.
	03/28/06		A
Appendix A	pg. 1 of 4		




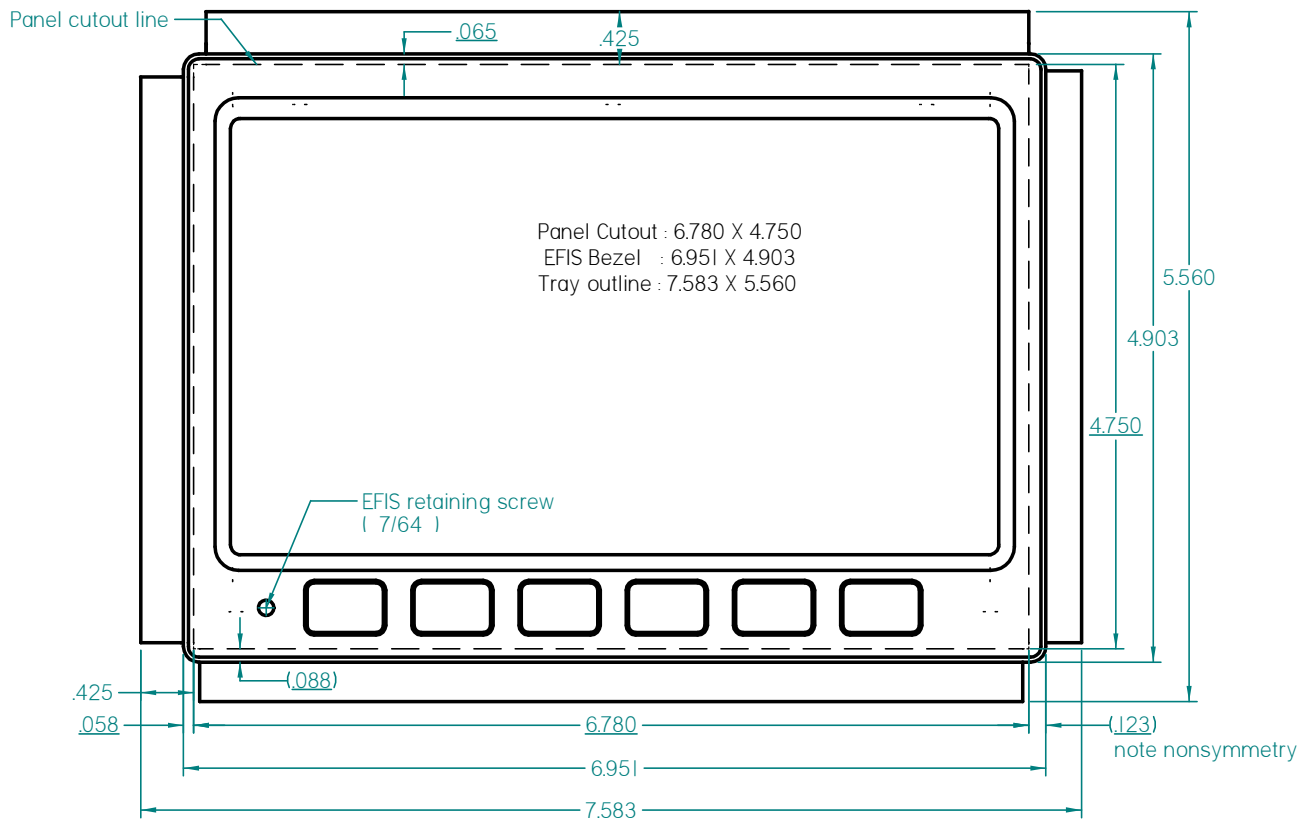
 DYNON AVIONICS	19825 141 st PL NE Woodinville WA 98072 (425)402-0834		
	EMS - DI20		
Color:	Date	material:	Rev.
Appendix A	03/28/06		A
pg. 2 of 4			



- Power
- Ground
- Fuel Level (4)
- RPM (2)
- Contact Inputs (2)
- Manifold Pressure
- Oil Temperature
- Oil Pressure
- Fuel Flow
- Amps
- Volts
- General Purpose (3)
- Alarm Light Output

- EGT Type K Thermocouple (6)
- CHT Type J Thermocouple (6)

 DYNON AVIONICS	19825 141 st PL NE Woodinville WA 98072 (425)402-0834		
	EMS - D120		
Color:	Date 03/28/06	material:	Rev. A
Appendix A pg. 4 of 4			



19825 141st PL NE
 Woodinville WA 98072
 (425)402-0834

EMS - DI20

Color:	Date 03/28/06	material:	Rev. A
Appendix A	pg. 3 of 4		