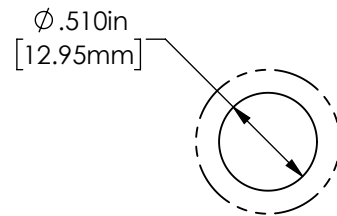
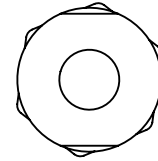
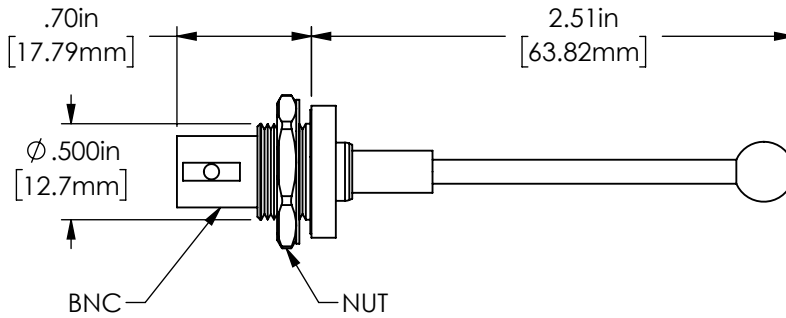
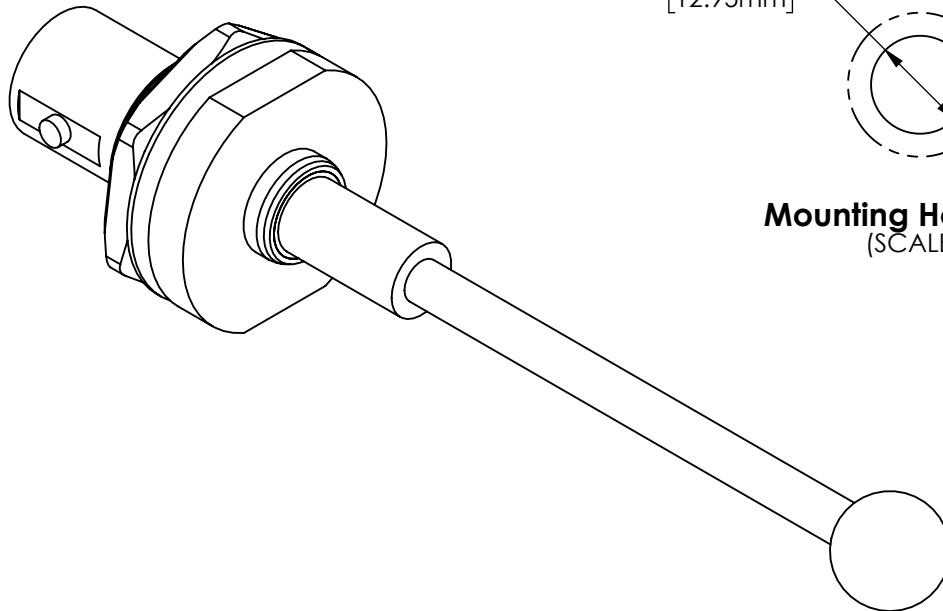


# Physical Dimensions (SCALE 1:1)

|                    |
|--------------------|
| WEIGHT             |
| 0.05 lb. (0.02 kg) |



**Mounting Hole Pattern**  
(SCALE 1:1)



## Antenna Stick Transponder



19825 141st PI NE  
Woodinville, WA 98072  
425-402-0433  
[www.dynonavionics.com](http://www.dynonavionics.com)