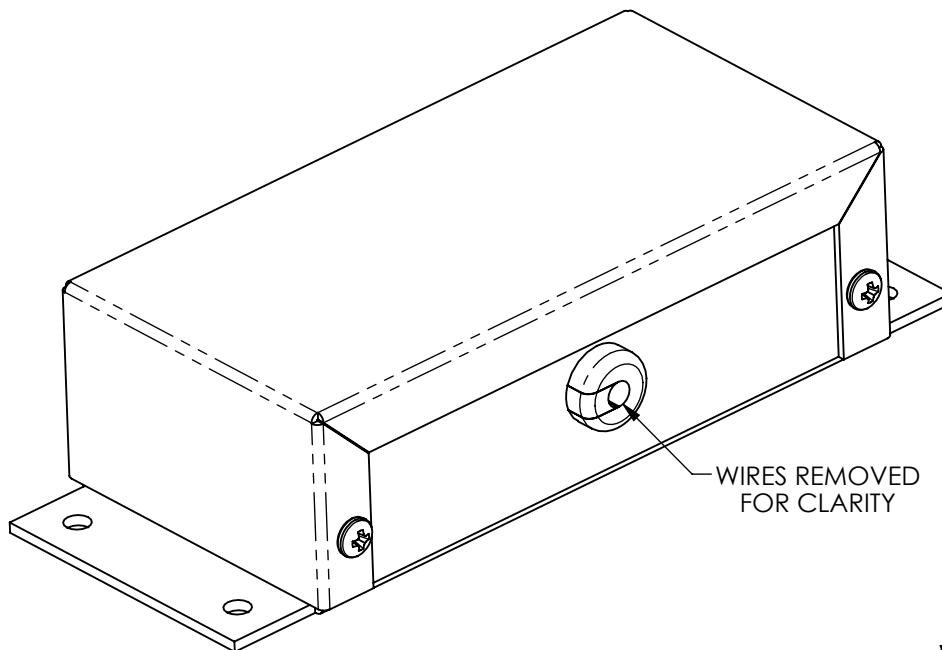
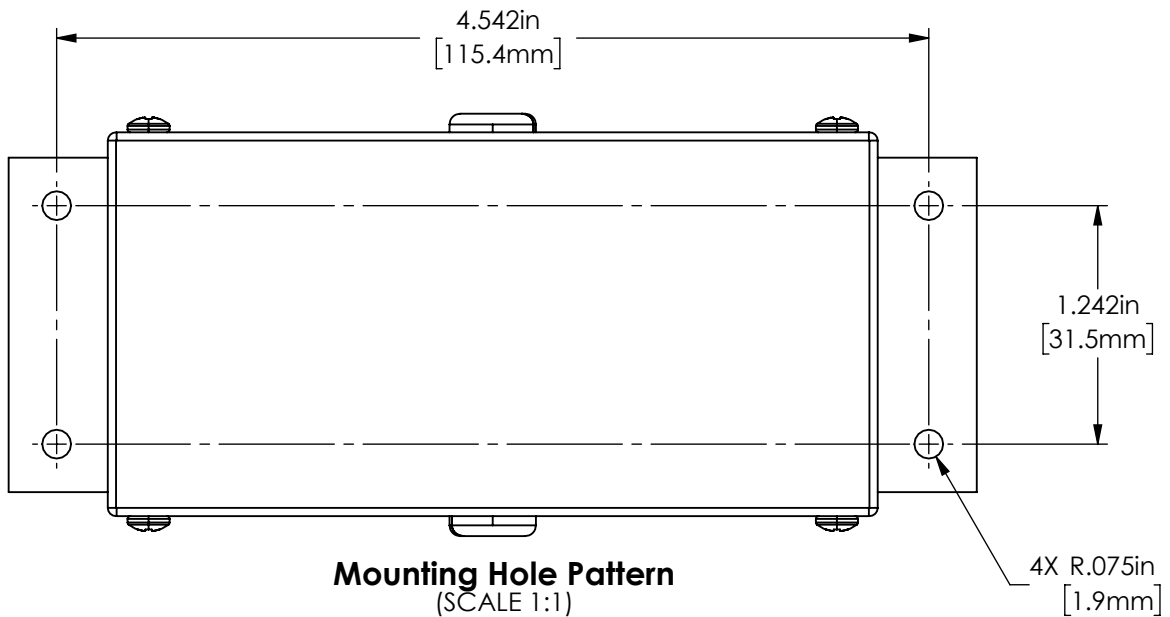
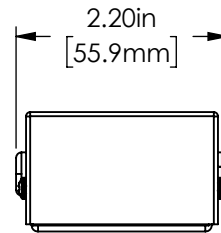
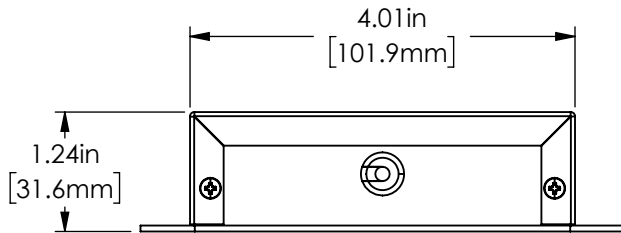


Physical Dimensions
(SCALE 1:2)

WEIGHT
0.32 lb. (0.15 kg)



**HEATED AOA/
PITOT PROBE
CONTROLLER**



19825 141st PI NE
Woodinville, WA 98072
425-402-0433
www.dynonavionics.com