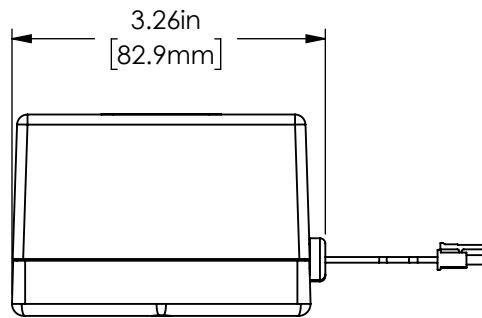
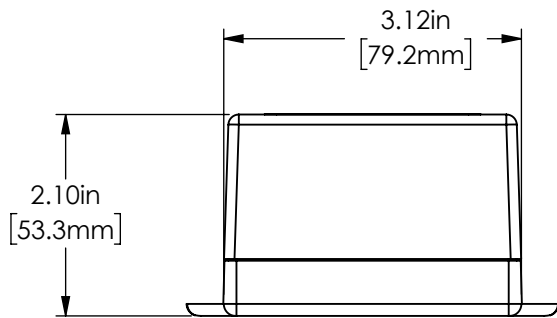


Physical Dimensions
(SCALE 1:2)

| |
|---------------------|
| WEIGHT |
| 0.40 lb. (0.18 kg) |



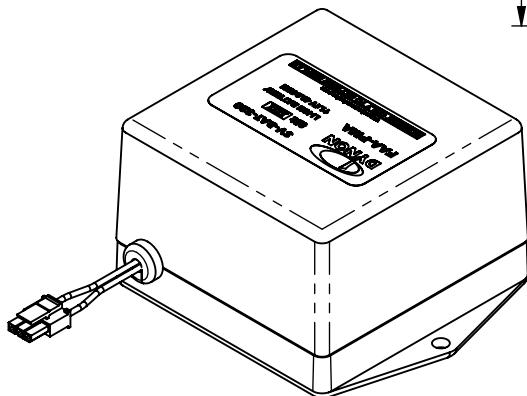
Ø .188in
[4.8mm]
(#8 FASTENER)

1.559in
[39.6mm]

SV-BAT-320
SN: XXXX
LHON BATTERY
11.1V 48.84WH
www.dynonavionics.com
CONNECT ONLY TO SKYVIEW DISPLAY

3.500in
[88.9mm]

Mounting Hole Pattern
(SCALE 1:1)



SV-BAT-320



19825 141st PI NE
Woodinville, WA 98072
425-402-0433
www.dynonavionics.com