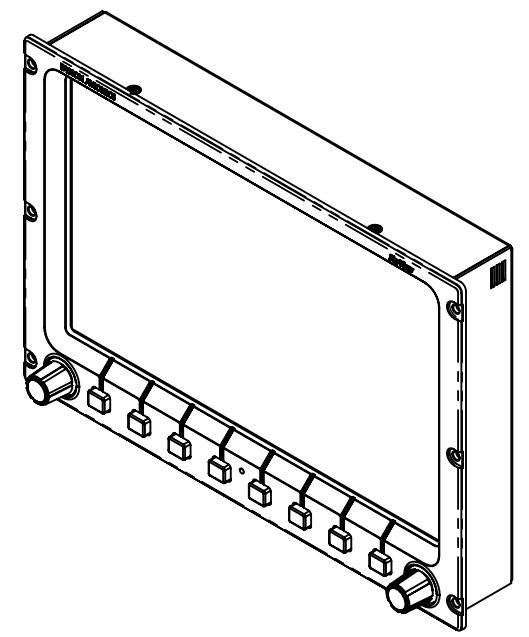
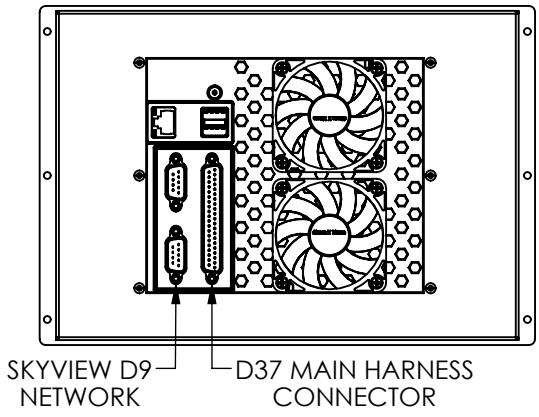
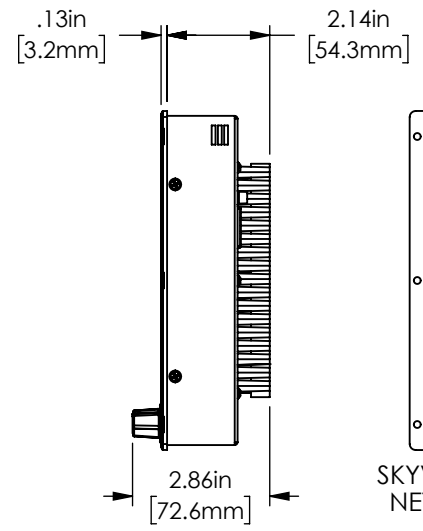
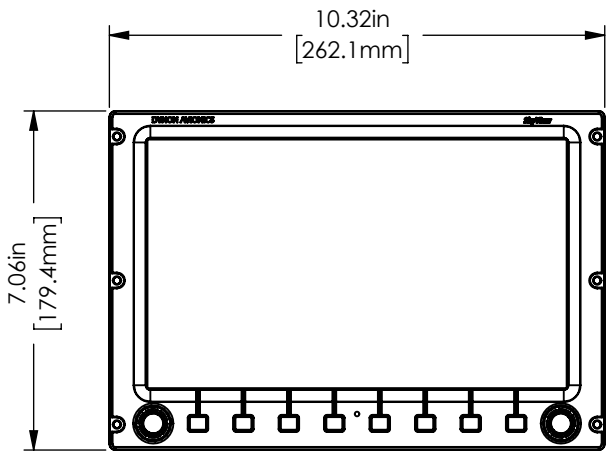


NOTE:
It is the responsibility of the builder to ensure the cut-out features include required margins needed for paint or other finishes applied to the panel. Finishes may reduce the effective size of the cut-out.

WEIGHT
3.00 LB (1.36 kg)



PANEL CUT-OUT DETAIL
SCALE 1:2
(DO NOT SCALE DRAWING)



SKYVIEW
SV-D1000



19825 141st PI NE
Woodinville, WA 98072
425-402-0433
www.dynonavionics.com