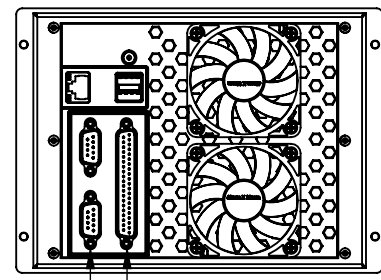
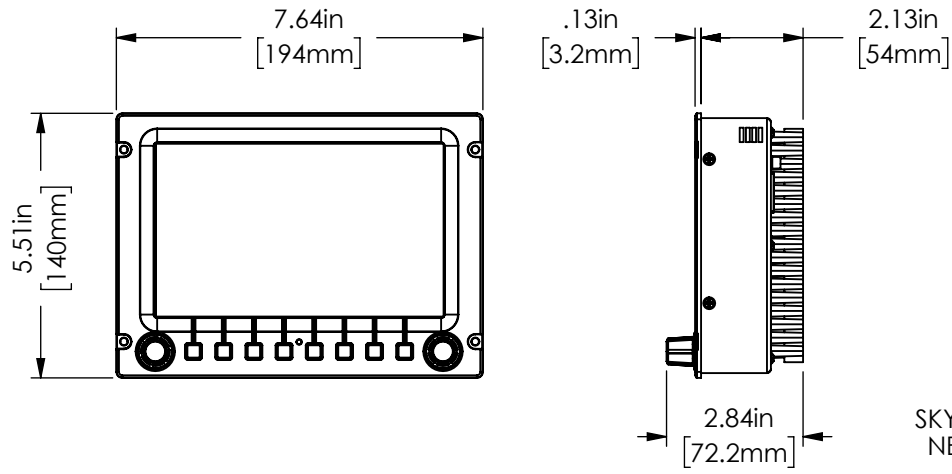
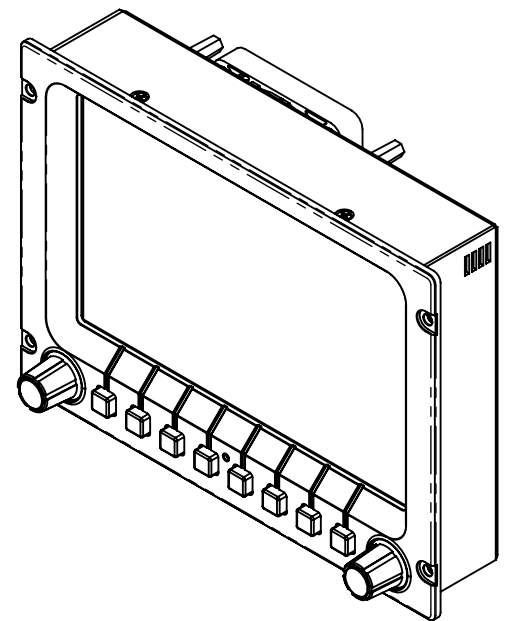


PANEL CUT-OUT DETAIL
SCALE 1:2
(DO NOT SCALE DRAWING)

NOTE:
It is the responsibility of the builder to ensure the cut-out features include required margins needed for paint or other finishes applied to the panel. Finishes may reduce the effective size of the cut-out.

WEIGHT
2.40 LB (1.09 kg)



SKYVIEW D9 NETWORK
D37 MAIN HARNESS CONNECTOR

SKYVIEW
SV-D700
DYNON

19825 141st PI NE
Woodinville, WA 98072
425-402-0433
www.dynonavionics.com